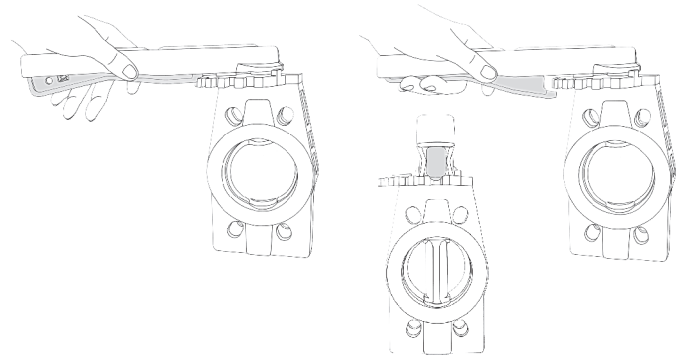


**Features:**

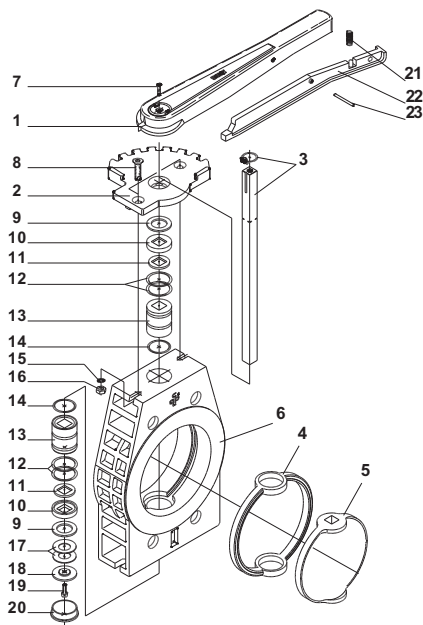
- PP-GF cover plate
- safety handle system
- corrosion resistant
- long working life, maintenance free
- simple radial installation or removal
- stainless and acid - resistant shaft
- excellent flow rates
- integrated valve support
- excellent valve body and shaft sealing system

|    |             |              |               |       |             |
|----|-------------|--------------|---------------|-------|-------------|
| d  | 90          | 110          | 140           | 160   | 225         |
| DN | 80          | 100          | 125           | 150   | 200         |
| G  | 3"          | 4"           | 5"            | 6"    | 8"          |
| A  | 270,0       | 270,0        | 270,0         | 380,0 | 380,0       |
| D  | 74,0        | 90,0         | 116,0         | 133,0 | 203,0       |
| C  | 130,0       | 154,0        | 189,0         | 214,5 | 272,0       |
| H  | 258,0       | 286,5        | 320,5         | 348,5 | 421,0       |
| h  | 104,5       | 119,0        | 128,5         | 148,0 | 178,0       |
| J  | 152,5-160,0 | 180,0-190,5  | 210,0-216,0   | 240   | 295,0-298,0 |
| K  | 19,0 x 22,8 | 19,0 x 24,25 | 22,0 x 26,679 | 22,0  | 22,0        |
| L  | 113,0       | 113,0        | 113,0         | 141,0 | 141,0       |
| M  | 77,5        | 77,5         | 77,5          | 94,0  | 94,0        |
| Z  | 49,0        | 56,0         | 64,0          | 70,0  | 71,0        |
| P  | 8,5         | 10,5         | 10,5          | 10,5  | 10,5        |
| R  | 10,0        | 10,0         | 10,0          | 16,0  | 22,0        |
| S  | 90,0        | 87,5         | 129,5         | 164,0 | 164,0       |
| PN | 10          | 10           | 10            | 6     | 6           |

**Safety handle system**



**Dimensions in mm!**



**Parts:**

01. Handle
02. Cover plate
03. Shaft with snap ring
04. Body sealing EPDM or FPM
05. Disk
06. Body
07. Screw
08. Screw
09. Shim
10. Steady bush out
11. Flatpacking
12. O-Ring
13. Steady bush in
14. O-Ring
15. Shim
16. Nut
17. Disk spring
18. Shim
19. Screw
20. Cover
21. Spring
22. Lever
23. Pin

**General:**

- Sealing material: EPDM / FPM
- Body material: PVC-u - **PP**
- Dimensions: DN 80 / d 90 - DN 200 / d 225

**Operating pressure:**

DN 80 / 3" - DN 125 / 5"      **10 bar**  
 DN 150 / 6" - DN 200 / 8"      **6 bar**

**Connection:**

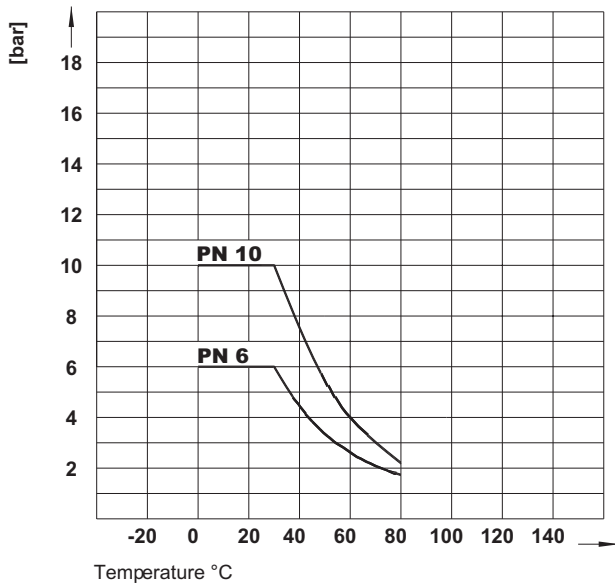
- Flange *ANSI, ASA, DIN* - DN 80 / 3" - DN 200 / 8"  
*JIS* - DN 80 / 3" - DN 150 / 6"

**Technical specification:**

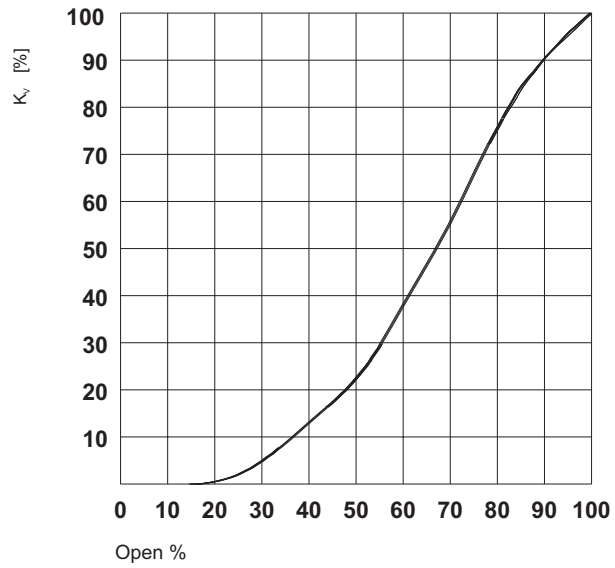
For example:  
 TYPE PRAHER  
 PP Butterfly valve S4 DN 80 d 90  
 Sealing material EPDM  
 Safety handle system  
 Max. Operating pressure 10 bar

Subjects to technical modification!

Pressure - Temperature diagram



Flow characteristic



Torque

